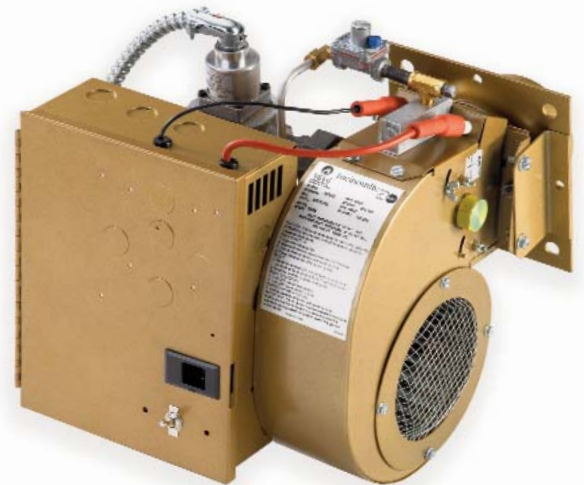




Midco®
INTERNATIONAL

Incinomite

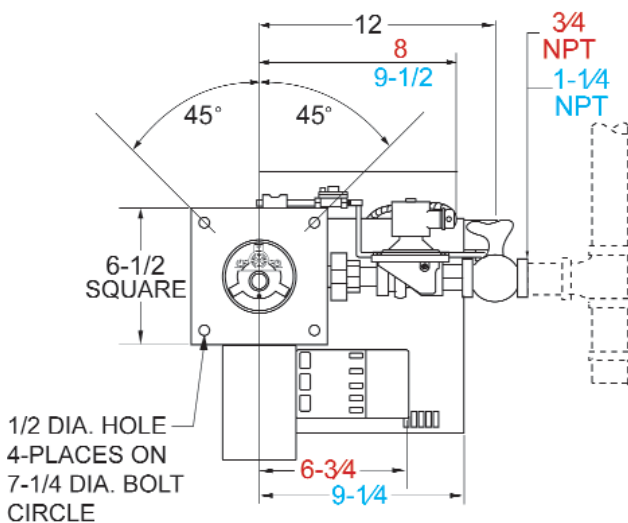
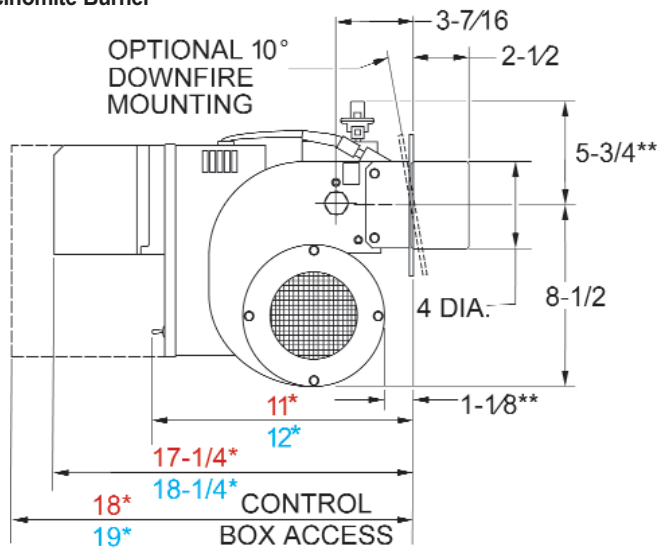
Spark Ignited Gas Burners



Incinomite

Spark Ignited Gas Burners

Incinomite Burner



- * Add 1-1/2" for optional 10° downfire mounting
 - ** Add 1/2" for optional 10° downfire mounting
- All dimensions shown are in inches

- Common
- 80 Series
- 120 Series

Midco® Incinomite - the incinerator industry's #1 choice!

Long flame - automatic self cooling system - spark ignited

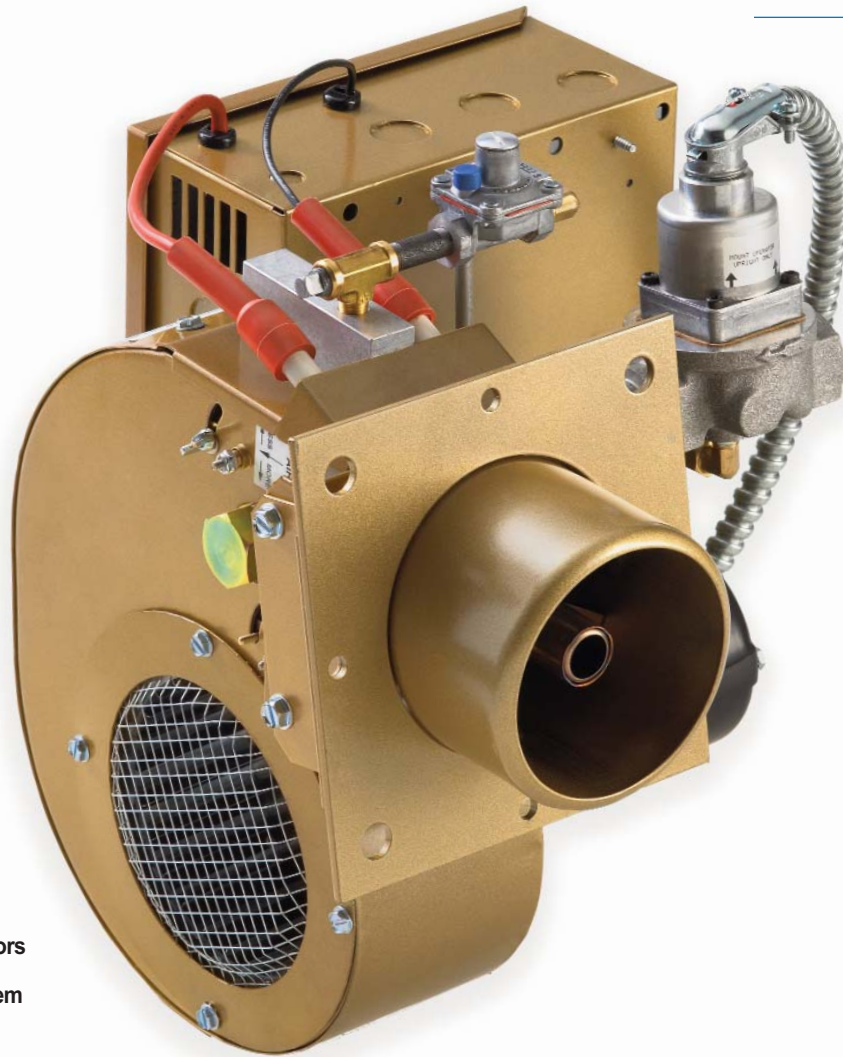
To design a package power gas burner for industrial and commercial incineration requires knowledge—knowledge gained by experience, over 40 years worth. The Midco Incinomite models with their rugged and foolproof designs, have become the incinerator industry standard.

Model J83-DS features direct spark ignition. The self contained electronic system produces instantaneous spark ignition. Continuous monitoring by the solid state system verifies flame or the burner automatically locks out. The ignition trial period is a positive and meaningful safety feature. With the direct spark model, we have eliminated forever the problem of pilot outage.

Where codes or insurance specifications require spark ignition piloted burners, the J81A-3 and J121A-3 are the burners of choice. The J81A-3 and J121A-3 Incinomites feature a spark ignited intermittent proven ignitor (pilot) with 100% safety shut-off and up to 1200 MBH input capacity.

Among other outstanding Incinomite standard features is the long luminous flame, the quiet permanently lubricated motor-driven high output blower, and the automatic self-cooling system that inhibits burner damage from heat back-up. For flexible installation, the standard mounting flange is easily changed for either horizontal or 10° down firing. The louvers in the blower housing permit adjustment of air volume to provide desired flame characteristics for varying conditions. Incinomite's exclusive design features all flame safeguard components and associated wiring outside the blast tube and blower housing, away from heat, for a longer life and reduced maintenance costs. The blast tube contains only electrodes that provide ignition and flame detection—there is nothing to clog...no wires to burn. Each Incinomite burner is shipped fully assembled and every unit is fire-tested before leaving the plant. Compact design makes the Incinomite easier to install and service.

Featuring standard design, the Incinomite burners are also available with custom options to suit your specific applications. The on-off switch is shipped as standard. Burners are shipped as natural gas models, with kits available for field conversion to propane gas. And for special applications such as insurance specification or local codes, Midco will tailor the Incinomite to fit those requirements.



Features

- Permanently Lubricated Motors
- Automatic Self Cooling System
- Reversible Mounting Flange
- Corrosion Resistant Powder Coated Housing

*Accepted as the benchmark
in the incinerator industry*

Specifications

Model Number	Type	Input Capacity MBH	Gas pressure Required	Electric 120 / 1 / 60	Motor Horsepower	Shipping Weight
J83-DS	Direct main-flame spark ignition	100 MBH* Min.	Natural 5.5-14.0" W.C.	3 Amps. Max. Running	1/40	29 lb.
		800 MBH* Max.	Propane 8.0-14.0" W.C.			
J121-DS	Direct main-flame spark ignition	100 MBH* Min.	Natural 5.5-14.0" W.C.	3 Amps. Max. Running	1/6	51 lb.
		1200 MBH* Max.	Propane 8.0-14.0" W.C.			
J81A-3	Spark ignited intermittent proven ignitor (pilot) - 100% shut off	100 MBH* Min.	Natural 5.5-14.0" W.C.	3 Amps. Max. Running	1/40	38 lb.
		800 MBH* Max.	Propane 8.0-14.0" W.C.			
J121A-3	Spark ignited intermittent proven ignitor (pilot) - 100% shut off	100 MBH* Min.	Natural 5.5-14.0" W.C.	3 Amps. Max. Running	1/6	51 lb.
		1200 MBH* Max.	Propane 8.0-14.0" W.C.			

* 100 MBH = 100,000 BTU/HR



Midco International Inc.[®]
4140 West Victoria Street
Chicago, Illinois 60646
tel 773.604.8700
fax 773.604.4070
web www.midcointernational.com
email sales@midcointernational.com

