



Midco<sup>®</sup>  
INTERNATIONAL

# Economite RE Series

Power Gas Burners



# Economite RE Series

*The Economite RE Series retention head shapes the flame into a compact flame pattern. This design concentrates heat to the most efficient heat exchange surfaces*

## Features & Benefits

### The RE Series Technology Provides . . .

- ... a uniform heat throughout the length of the heat exchanger creating consistent heat distribution characteristics
- ... increased combustion efficiency by reducing the volume of oxygen used for the combustion process
- ... operation under variable draft or positive pressure conditions



### The RE Series Has . . .

- ... sheet metal construction allowing high volume production resulting in competitive pricing and shorter lead-times
- ... a simple removable burner cartridge for easy service
- ... an optional welded flange assembly is available to accommodate OEM specifications
- ... an external air shutter for easy adjustment
- ... full burner capacity firing up to 1/2" W.C. positive combustion chamber pressure
- ... a universal adjustable mounting flange making installation fast and easy

### The RE Series Is . . .

- ... pre-piped, pre-wired and factory fire tested
- ... available with UL / FM / GAP valve trains and controls
- ... customizable in configurations to meet your needs

## Applications

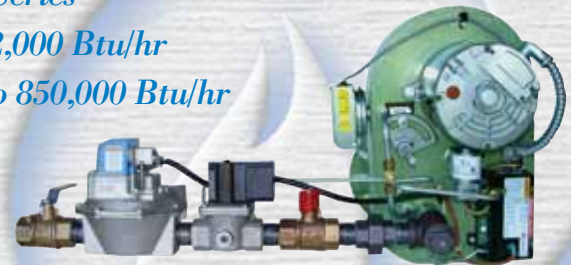
The RE Series is engineered to serve a wide variety of applications or can be customized to accommodate the OEM's specific requirements.

- |                           |                  |
|---------------------------|------------------|
| Agricultural Processing   | Incinerators     |
| Baking Ovens              | Micro Brewing    |
| Boilers                   | Pressure Washers |
| Coffee Roasting Equipment | Process Ovens    |
| Crop Drying               | Space Heating    |
| Food Service Equipment    | Spray Booths     |
| Furnaces                  | Water Heaters    |

Contact Midco for gas burner application assistance

### RE Series

*132,000 Btu/hr  
to 850,000 Btu/hr*



RE4850BA

## Specifications

Model Number	Minimum Input Rating *	Maximum Input Rating *	Gas Connection Pipe Size	Gas Pressure <sup>3</sup> Required Natural or Propane	Diameter of Nozzle	Maximum Nozzle Insertion Depth	Motor HP	Design Certifications or Listed by	Primary Safety Voltage	Shipping Weight
RE4400DS	132,000*	400,000*	3/4" NPT	7.0" to 14.0" W.C.	4.0"	8.0"	1/6 <sup>1</sup>	U.L./C.U.L Listed	24V	40 lb
RE4700BA	230,000*	700,000*	1" NPT	7.0" to 14.0" W.C.	4.0"	8.0"	1/6 <sup>1</sup>	U.L./C.U.L Listed	24V	47 lb
RE4850BA	280,000*	850,000*	1" NPT	7.0" to 14.0" W.C.	4.0"	8.0"	1/6 <sup>1</sup>	U.L./C.U.L Listed	24V	55 lb
RE4850A	280,000*	850,000*	1" NPT	7.0" to 14.0" W.C.	4.0"	8.0"	1/6 <sup>1</sup>	U.L./C.U.L Listed	120V	59 lb
RE6700B	275,000*	700,000*	1" NPT	6.0" to 14.0" W.C.	6.0"	6.0"	1/7 <sup>2</sup>	U.L./C.U.L Listed	24V	47 lb
RE6850B	275,000*	825,000*	1" NPT	6.0" to 14.0" W.C.	6.0"	6.0"	1/7 <sup>2</sup>	U.L./C.U.L Listed	24V	50 lb
RE6850	275,000*	825,000*	1" NPT	6.0" to 14.0" W.C.	6.0"	6.0"	1/7 <sup>2</sup>	U.L./C.U.L Listed	120V	50 lb

\*Btu/Hr Available in Natural and LP Electrical Supply 115 / 1 / 60<sup>1</sup> as standard LP requires a conversion kit

Gas Burner Draft Motors <sup>1</sup> 115 / 1 / 60 230 / 1 / 60

Gas Burner Draft Motors <sup>2</sup> 115 / 1 / 60

<sup>1&2</sup> Contact Midco for 50 Hz Applications (non-UL Listed)  
<sup>3</sup> For Lower Inlet Capacities Contact Midco

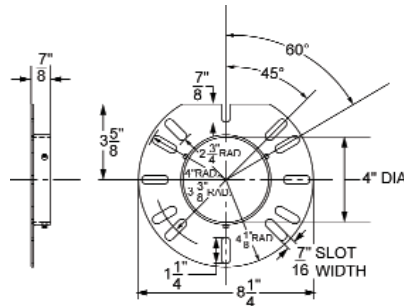
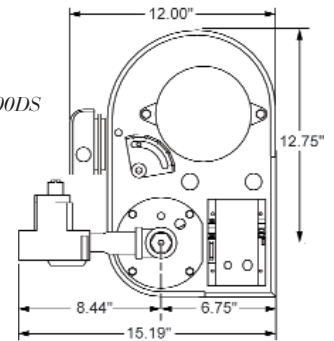
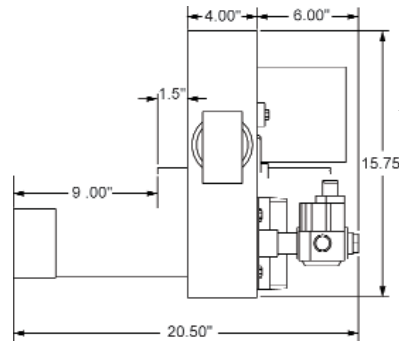


The RE Series is available as a fully assembled power burner with control system. For further information please contact [sales@midcointernational.com](mailto:sales@midcointernational.com)

# Economite RE 4000 Series

## Power Gas Burners

*Midco's Economite Family of Burners  
Backed by 60 Years of Experience*



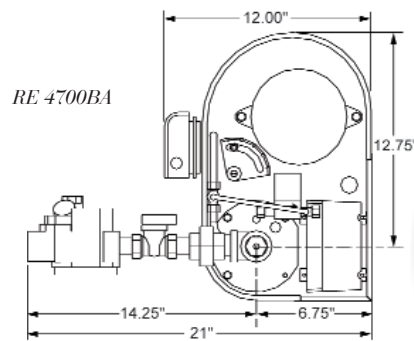
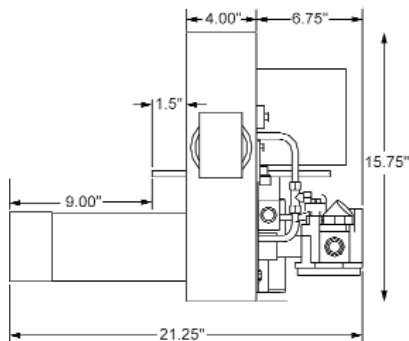
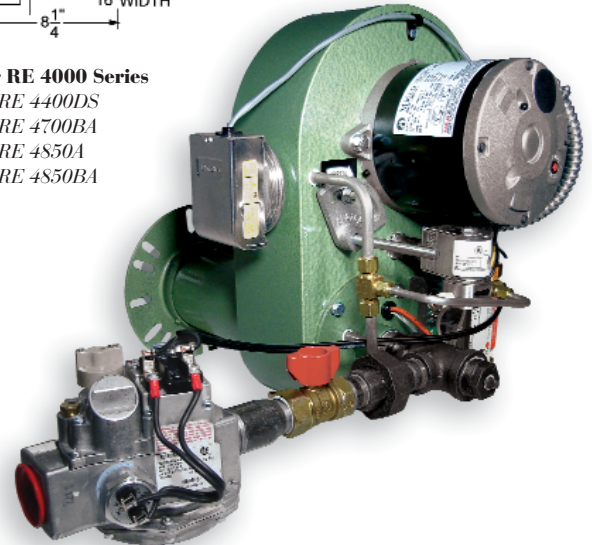
132,000 to 400,000 Btu/Hr

## RE 4400DS

Direct Spark Ignition

### 4" Flange for RE 4000 Series

Models - RE 4400DS  
RE 4700BA  
RE 4S50A  
RE 4S50BA



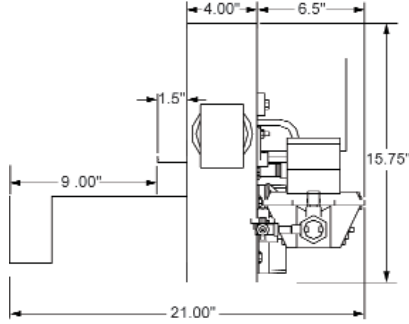
230,000 to 700,000 Btu/Hr

*When You Need to  
Turn On the Heat  
Choose Midco*

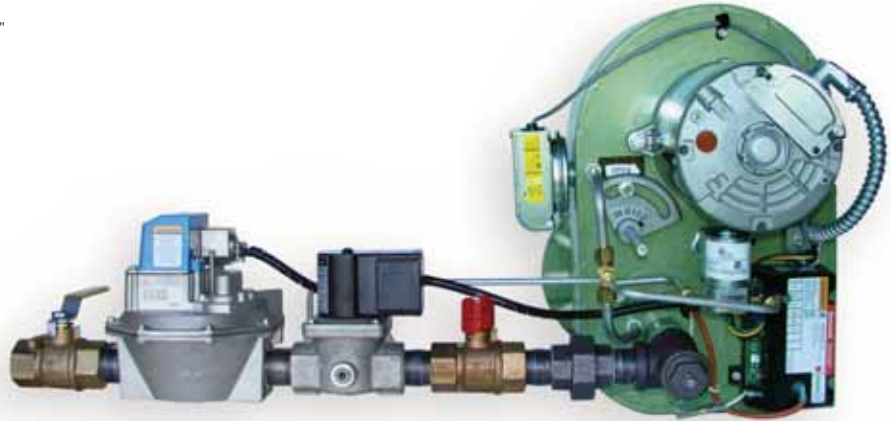
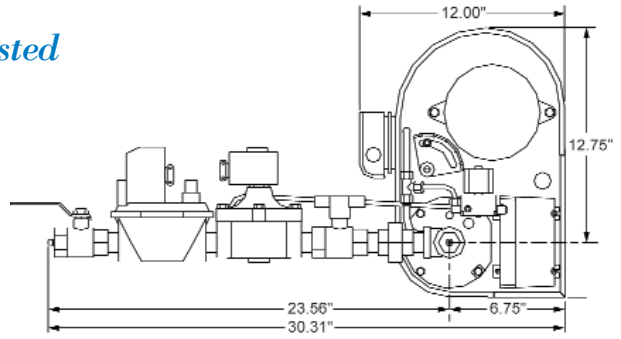
## RE 4700BA

Intermittent  
Spark Ignition 24 Volt

*Fully Assembled, Factory Fired Tested  
And Ready for Installation*



RE 4850BA

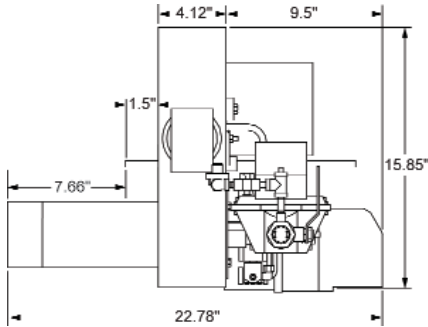


*Flexible, Compact Design*

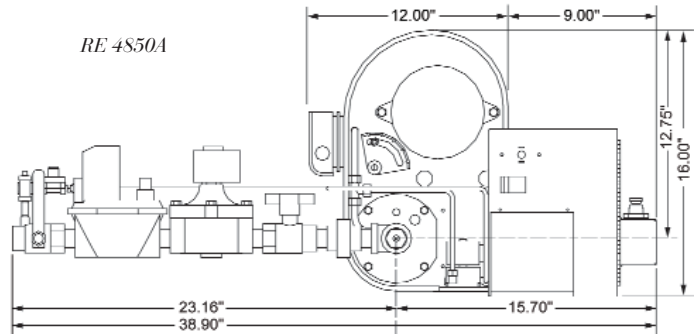
280,000 to 850,000 Btu/Hr

# RE 4850BA

**Intermittent  
Spark Ignition 24 Volt**



RE 4850A



280,000 to 850,000 Btu/Hr

# RE 4850A

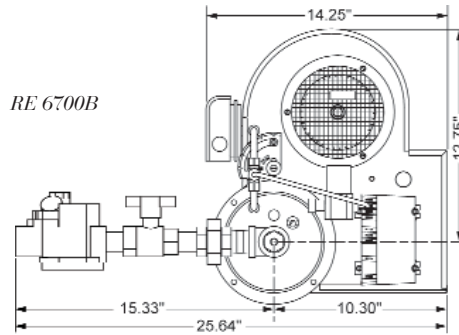
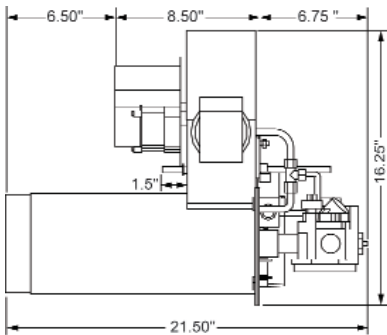
**Intermittent  
Spark Ignition 120 Volt**

*Whether you purchase an 'off the shelf' unit or have us create one to fit your application, you can be assured of having purchased the finest combustion power gas burner in the industry.*

*Quality Designed for Proven Performance*

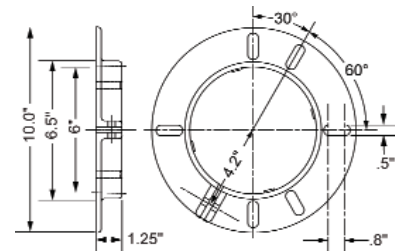
# Economite RE 6000 Series

## Power Gas Burners



**6" Flange for RE 6000 Series**

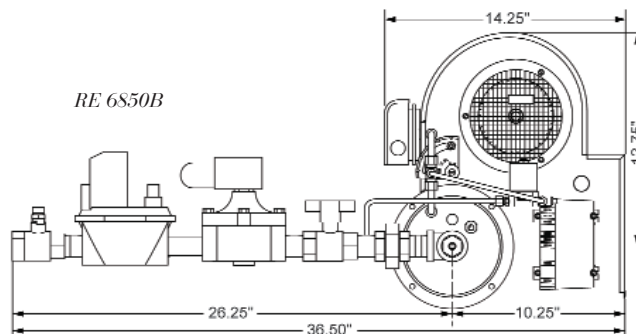
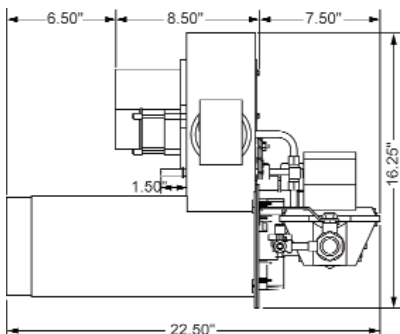
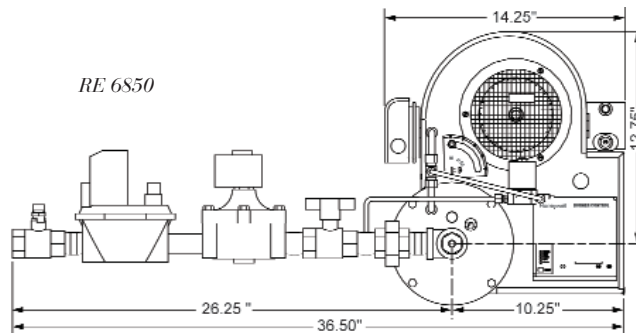
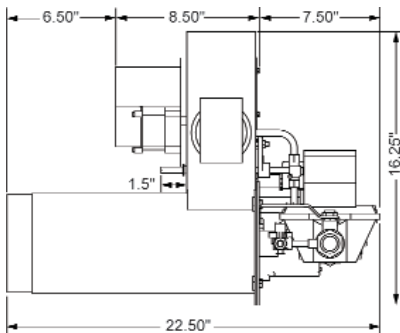
Models RE 6700B  
RE 6850B  
RE 6850



RE 6700B - 275,000 to 700,000 Btu/Hr

## RE 6700B

Intermittent  
Spark Ignition 24 Volt



Dependable  
Performance

RE 6850 - 275,000 to 825,000 Btu/Hr

RE 6850B - 275,000 to 825,000 Btu/Hr

## RE 6850 & 6850B

Intermittent Spark Ignition / RE 6850B - 24 Volt  
RE 6850 - 120 Volt Primary Control



**Midco**<sup>®</sup>  
INTERNATIONAL

**Midco International Inc**  
4140 West Victoria Street  
Chicago, Illinois 60646  
tel 773.604.8700  
fax 773.604.4070  
[www.midcointernational.com](http://www.midcointernational.com)