

Power Conversion

P250AF & P265F

GAS BURNERS



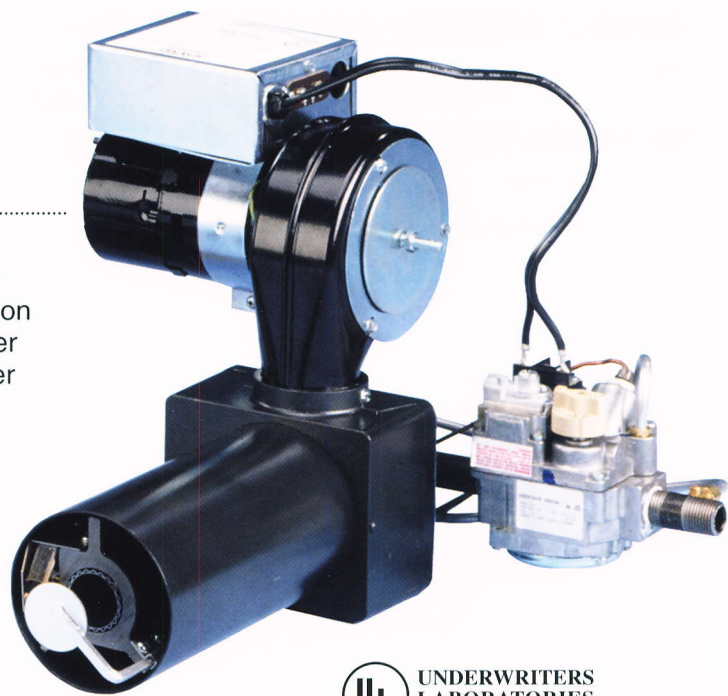
WE TAME THE FLAME

P250AF features:

The P250AF features an adjustable flame spreader to allow tailoring of the flame shape to the combustion chamber. Fires from 50,000 to 250,000 Btu/hr. Power burner design will increase efficiency up to 30% over atmospheric gas burners. Available in 8" air tube length only (7" maximum insertion).

Model features:

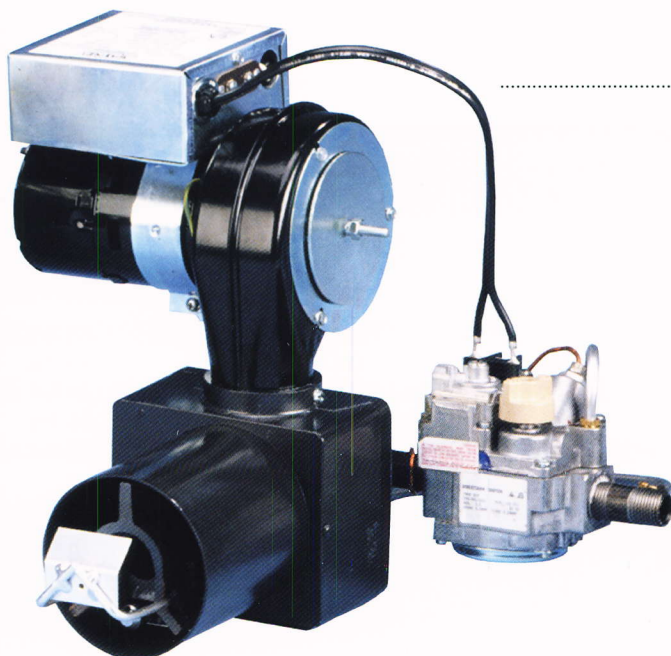
All models feature forced draft compact design for high efficiency conversion of oil-fired furnaces, boilers, or water heaters to Natural or LP gas. Direct Spark Ignition is standard on all units. All Wayne gas burners include die cast aluminum housings for precise alignment of parts and a machined cast iron venturi for superior mixing of gas and air. Universal mounting flange adapts to any appliance. All models factory-wired and test-fired.



P265F features:

The P265F line features a fixed flame spreader, which provides a consistent, bushy, round flame. Typical applications include furnaces, boilers ("BB" Boiler Burner version recommended) and most water heaters. This unit is frequently employed for oil to gas conversions. Fires from 65,000-200,000 Btu/hr. Quiet operation with uncomplicated design that is easy to install and service. Available in 5", 8" and 11" air tube lengths.

Our P265F BB Boiler Burner is exclusively designed for conversion of boilers (primarily 2,3 and 4 section) from oil to gas operation. This model utilizes a stainless steel air tube and stainless steel air tube end focusing ring to provide a tighter, shorter flame pattern. The P265F BB yields a high efficiency conversion, low emissions and is extremely simple to service. Maximum 6 3/8" usable insertion. Available only as a Natural gas fired unit from the factory, however it is easily converted to LP operation using our P/N 62955-001 conversion kit.



Specifications

P250AF & P265F GAS BURNERS

P250AF GAS BURNER

Minimum Btu/hr Input	50,000
Maximum Btu/hr Input	250,000
Voltage	120 Volt, 60Hz (can run 50Hz *)
Gas Pressure Required	Natural gas - 4.5" W.C. LP gas 11.0" W.C.
Ignition Source	Direct Spark Ignition
Gas Valve	24 Volt
Floor Area	Minimum 0.6 sq. in./1000 Btu/hr Maximum 0.9 sq. in./1000 Btu/hr
Gas Connection	1/2" NPT
Air Tube Diameter	4"

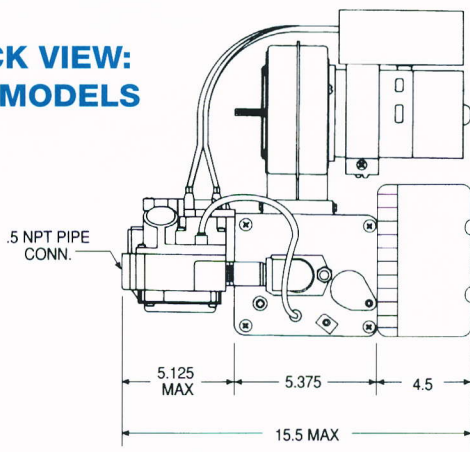
*Reduces maximum output to 208,000 Btu/hr.

P265F GAS BURNER

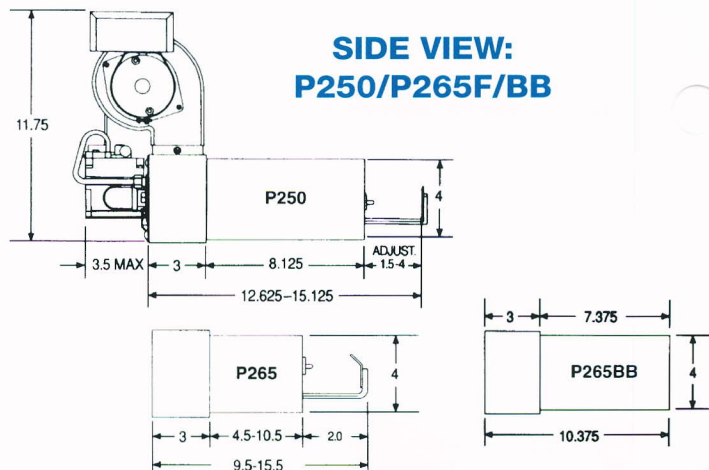
Minimum Btu/hr Input	65,000
Maximum Btu/hr Input	200,000
Voltage	120 Volt, 60Hz (can run 50Hz **)
Gas Pressure Required	Natural gas - 4.5" W.C. LP gas 11.0" W.C.
Ignition Source	Direct Spark Ignition
Gas Valve	24 Volt
Floor Area	Minimum 0.6 sq. in./1000 Btu/hr Maximum 0.9 sq. in./1000 Btu/hr
Gas Connection	1/2" NPT
Air Tube Diameter	4"

**Reduces maximum output to 166,000 Btu/hr.

**BACK VIEW:
ALL MODELS**



**SIDE VIEW:
P250/P265F/BB**



MODEL	ORDER WAYNE PART #	AIR TUBE LENGTH	FUEL	IGNITION*	SHIPPING WEIGHT EACH
P250AF	63365	8"	LP	D.I.	24 lbs.
P250AF	63366	8"	Nat	D.I.	24 lbs.
P265F	63367	5"	LP	D.I.	23 lbs.
P265F	63368	5"	Nat	D.I.	23 lbs.
P265F	63369	8"	Nat	D.I.	24 lbs.
P265F	63370	11"	LP	D.I.	25 lbs.
P265F	63371	11"	Nat	D.I.	25 lbs.

BOILER BURNER

P265F BB	63388	7 ³ / ₈ "	Nat	D.I.	24 lbs.
----------	-------	---------------------------------	-----	------	---------

*D.I. = Direct Ignition